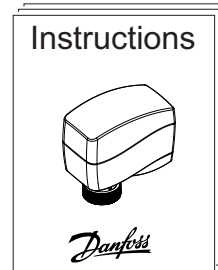
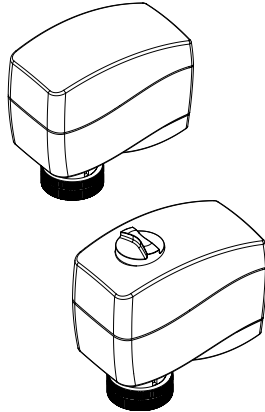


Instructions

VZ 2, VZ 3, VZ 4



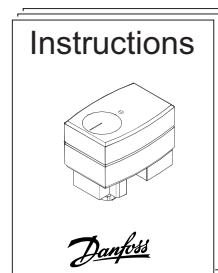
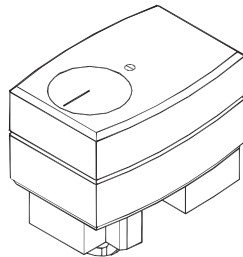
VZ 2



AMV(E) 130(H), 140(H)



VZ 3



AMV(E) 13 SU



VZ 4

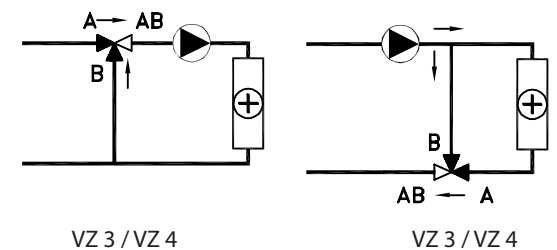
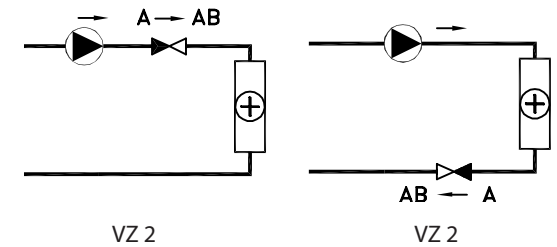
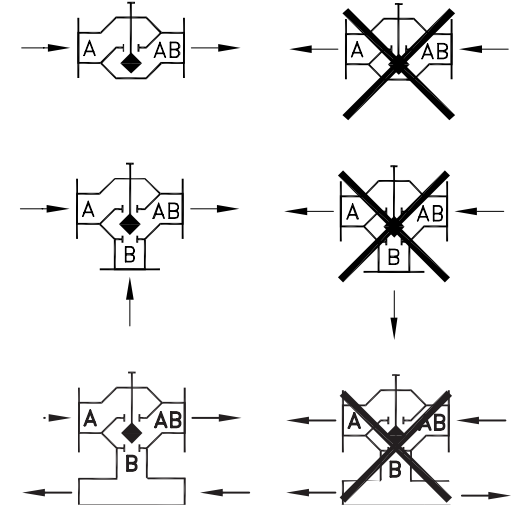
k_{vs}	Code stamp
0.25	0.25
0.40	0.4
0.63	0.63
1.00	1.0
1.60	1.6
2.50	2.5
4.00	4.0

DN	Max. Δp (bar)
15	3.5
20	2.5

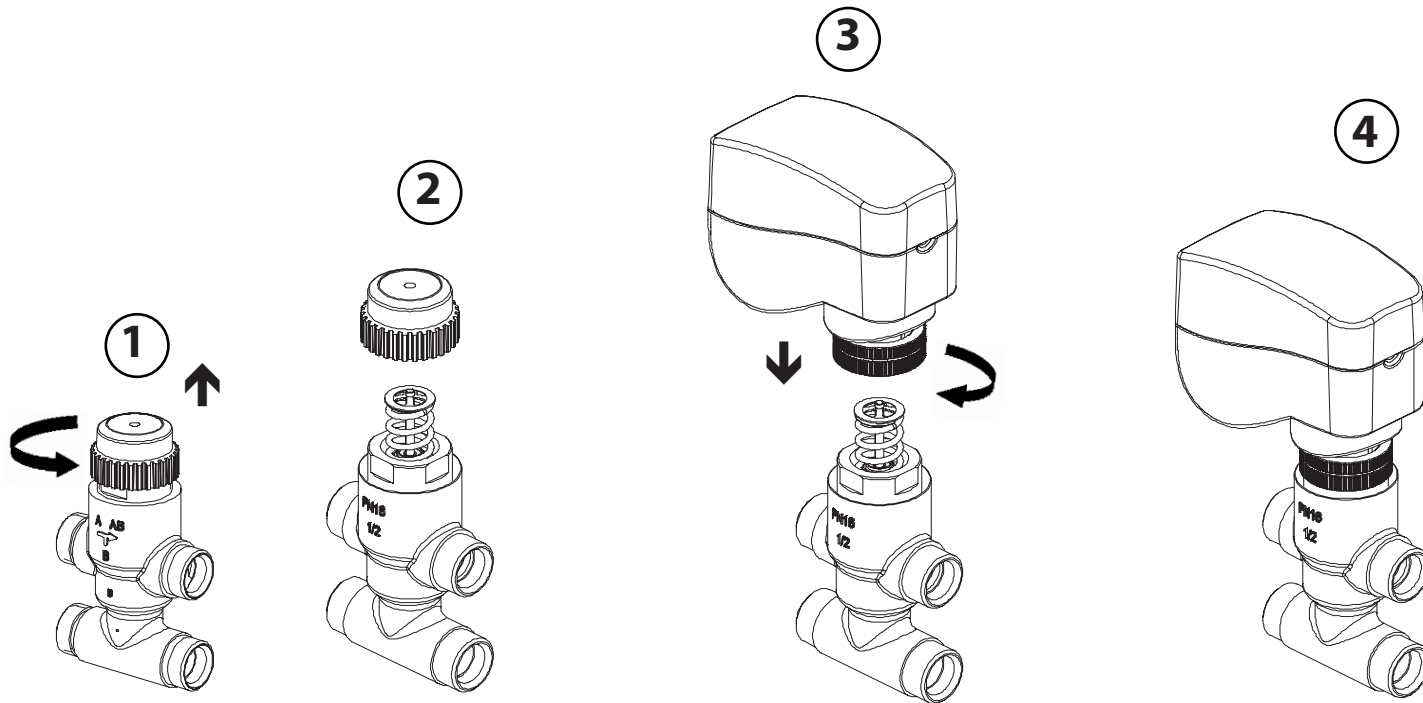
max. t: 120°C
min. t: 2°C

max. P: 16bar

16 bar = 1600 kPa = 232 psi



AMV(E) 130(H), 140(H) + VZ



AMV(E) 13 SU + VZ

