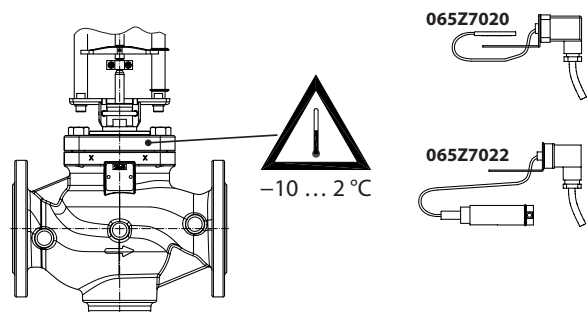
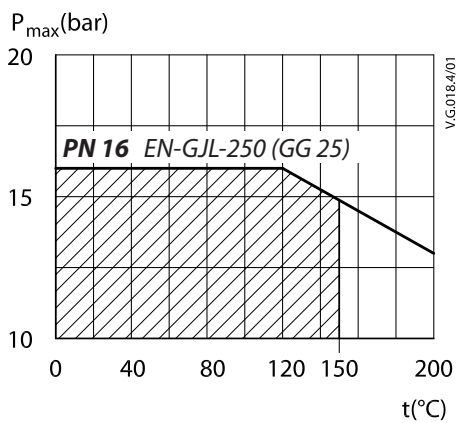
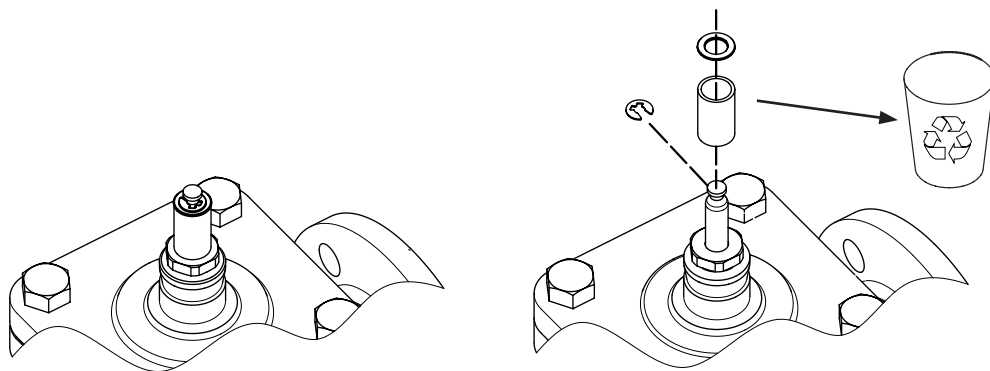
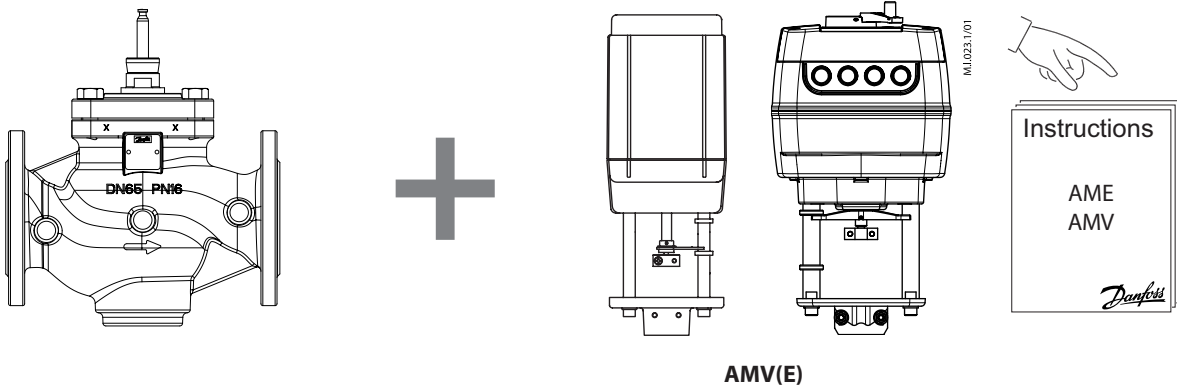
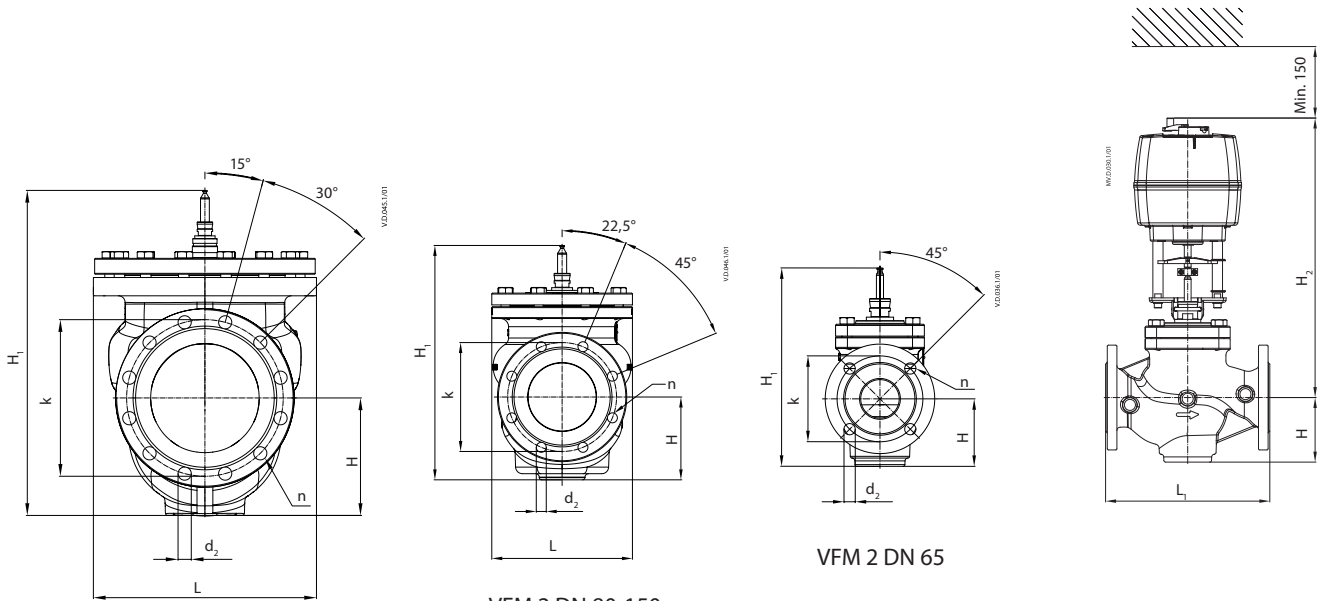
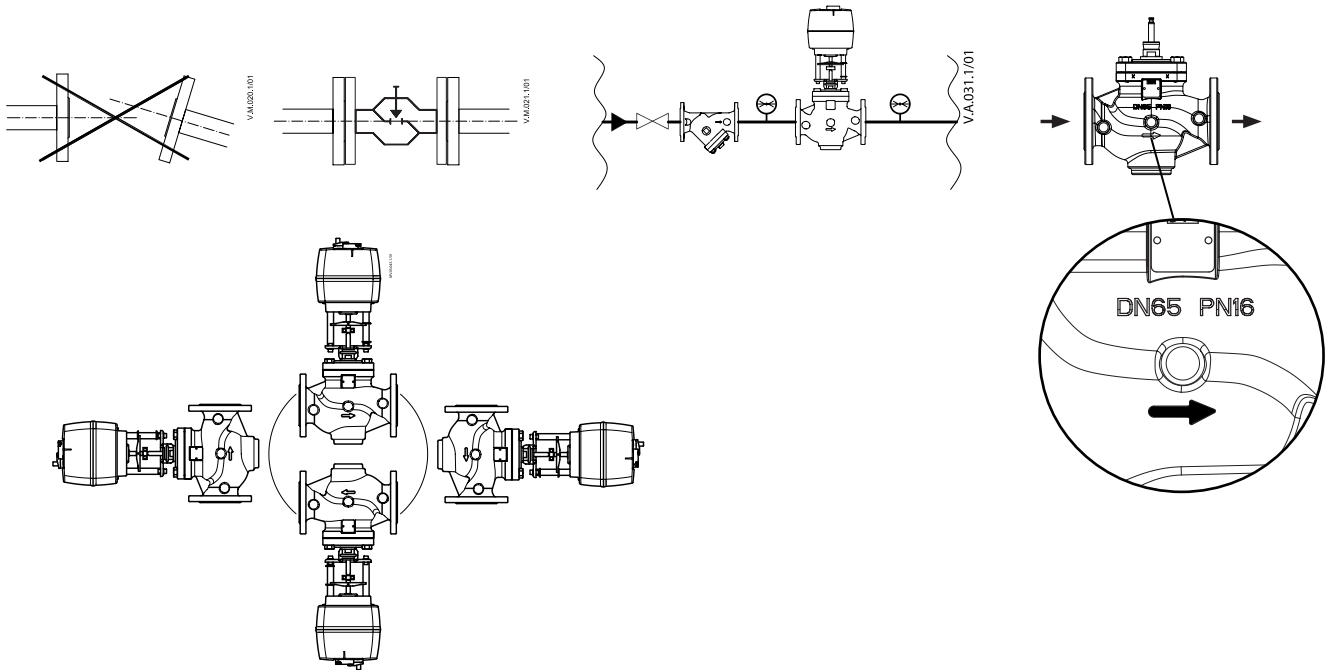


Installation Guide

VFM 2 (DN 65-250)



Installation Guide VFM 2



VFM 2 DN 200, 250

VFM 2 DN 80-150

VFM 2 DN 65

Type	DN	L	L ₁	H	H ₁	H ₂	k	d ₂	n
		mm							
VFM 2	65	185	290	114	290	493	145	19	4
	80	200	310	114	310	494	160	19	8
	100	242	350	148	350	528	180	19	8
	125	242	400	149	400	529	210	19	8
	150	310	480	182	512	628	240	22	8
	200	389	600	245	600	686	295	23	12
	250	500	730	267	730	732	355	26	12

Danfoss can accept no responsibility for possible errors in catalogues, brochures and other printed material. Danfoss reserves the right to alter its products without notice. This also applies to products already on order provided that such alterations can be made without subsequential changes being necessary in specifications already agreed. All trademarks in this material are property of the respective companies. Danfoss and the Danfoss logotype are trademarks of Danfoss A/S. All rights reserved.