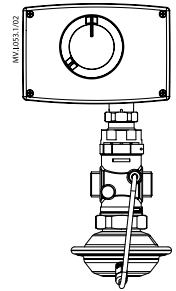
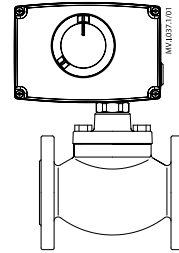
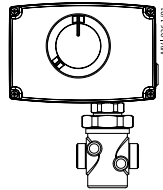
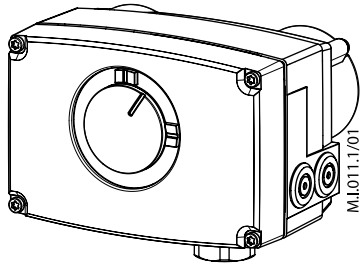


Installation Guide

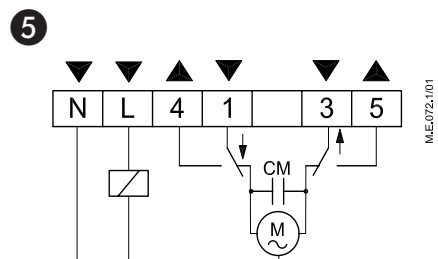
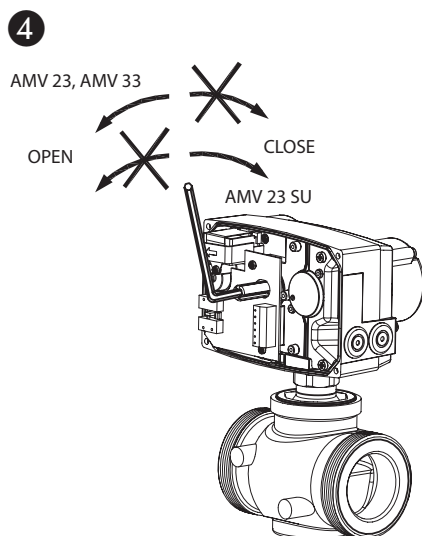
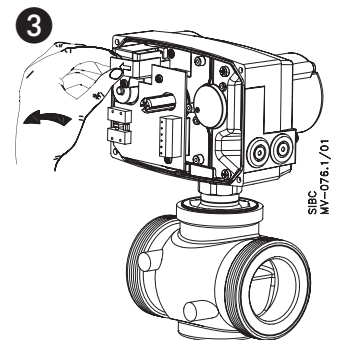
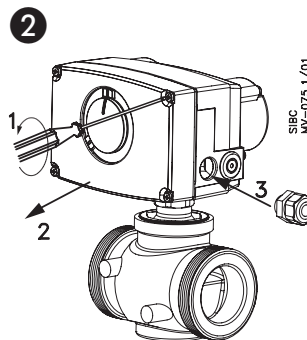
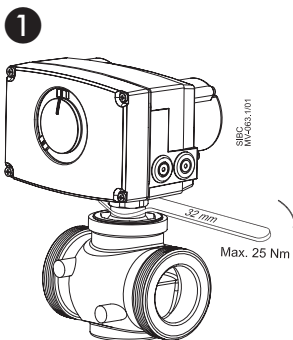
AMV 23, AMV 23 SU, AMV 33



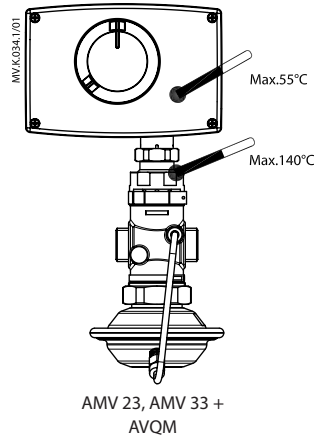
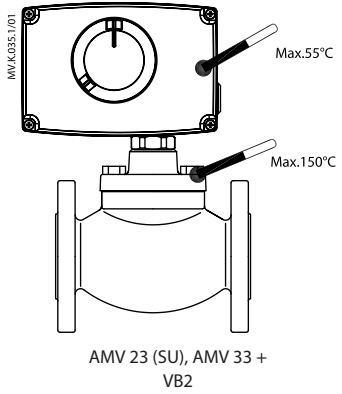
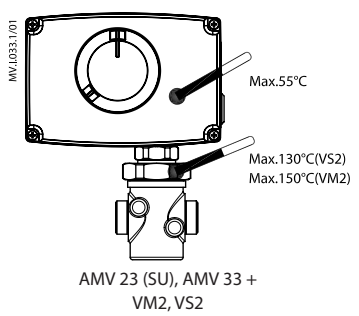
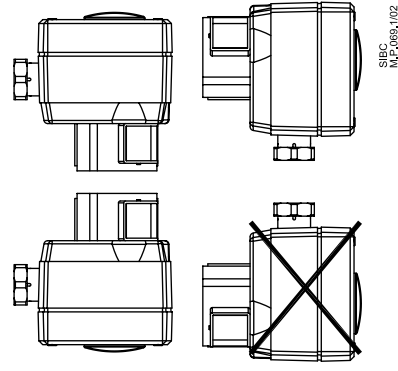
AMV 23 (SU), AMV 33 +
VS 2 (DN20-25), VM 2

AMV 23 (SU), AMV 33 +
VB 2

AMV 23, AMV 33 +
AVQM



Installation Guide AMV 23, AMV 23 SU, AMV 33



Danfoss can accept no responsibility for possible errors in catalogues, brochures and other printed material. Danfoss reserves the right to alter its products without notice. This also applies to products already on order provided that such alterations can be made without consequential changes being necessary in specifications already agreed. All trademarks in this material are property of the respective companies. Danfoss and the Danfoss logotype are trademarks of Danfoss A/S. All rights reserved.